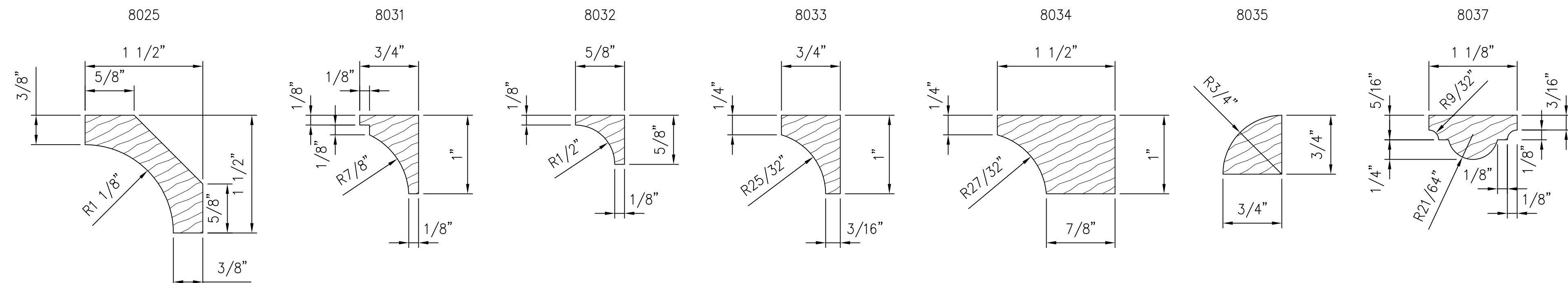


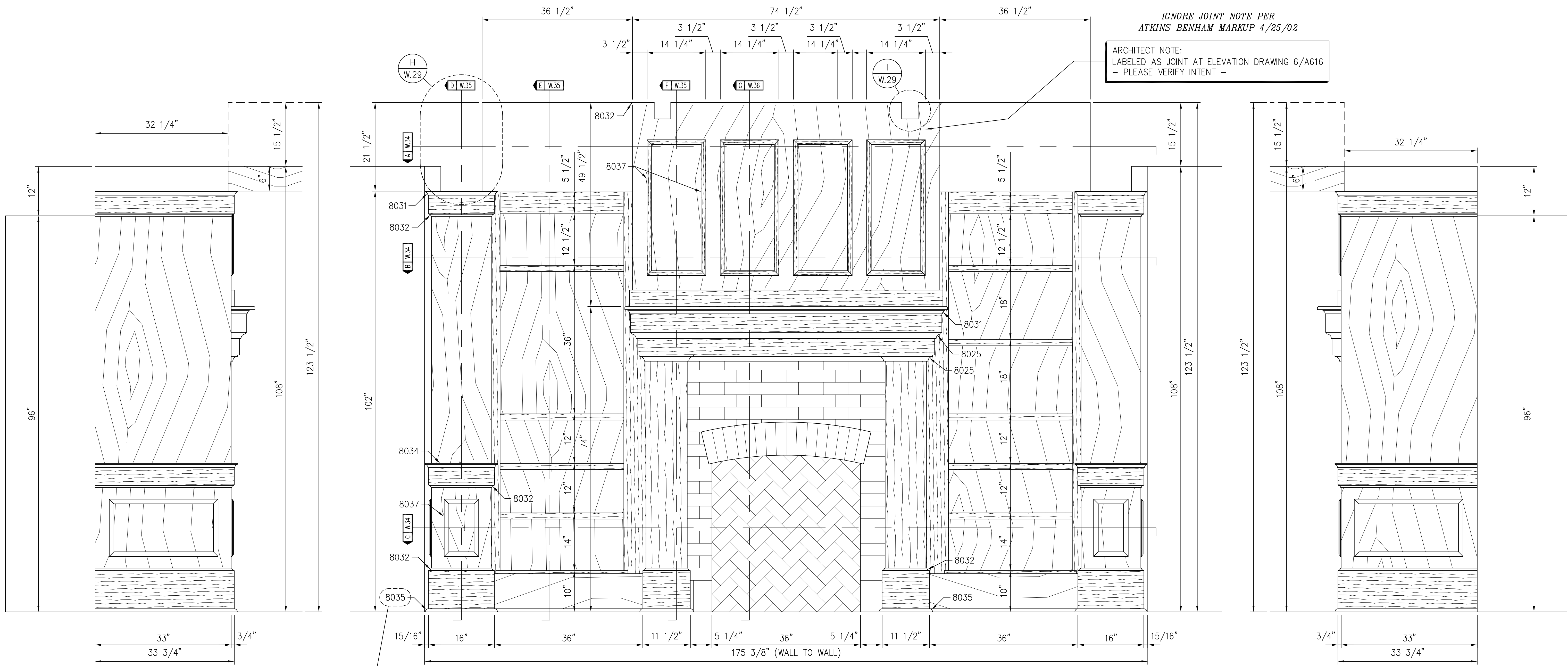
NOTE: ALL TRIM MOLDING TO BE SOLID HARDWOOD



TYPICAL TRIM MOLDING SHAPES
FULL SCALE

NOTE: SEE SECTION DETAILS FOR DIMENSIONS NOT SHOWN

IGNORE JOINT NOTE PER
ATKINS BENHAM MARKUP 4/25/02
ARCHITECT NOTE:
LABELED AS JOINT AT ELEVATION DRAWING 6/A616
- PLEASE VERIFY INTENT -



LEFT END VIEW

RIGHT END VIEW

11 TYPICAL RESIDENT LOUNGE
W.33 SCALE: 1" = 1'-0"
1 A712 6 A616

REV.	DATE	DESCRIPTION

COMPANY NAME
ADDRESS
CITY, STATE, ZIP
PHONE #
FAX #

PROJECT NAME
PROJECT NAME
ADDRESS
CITY, STATE, ZIP

DATE 00/00/00
DRAWN BY
MANAGER
SHEET NO.
AREA W
W.33