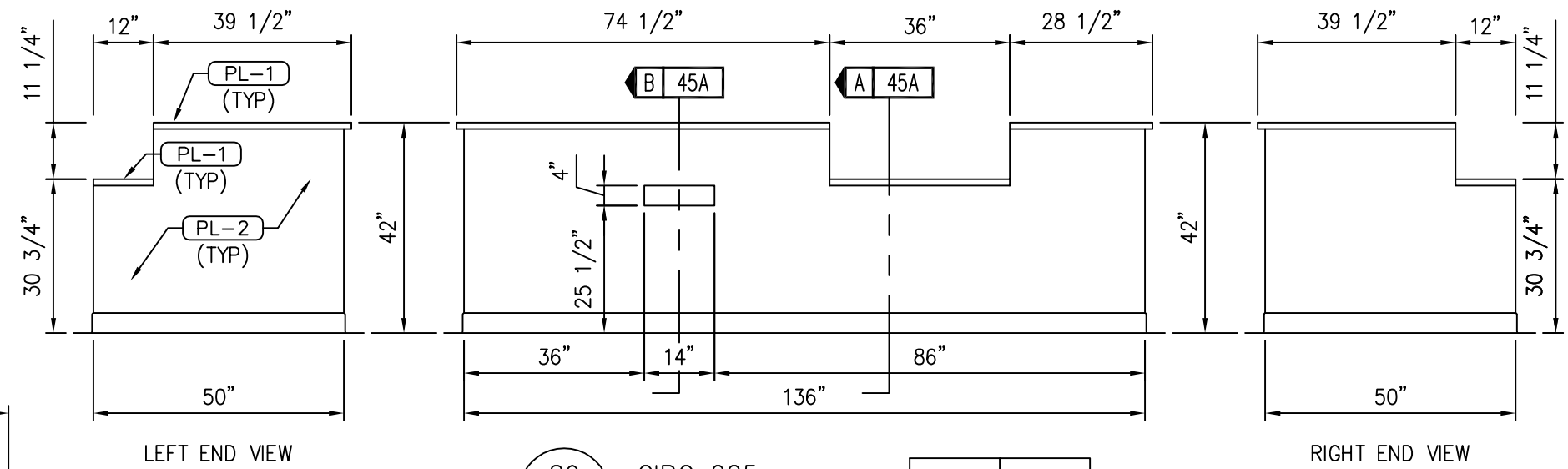


YOUR COMPANY LOGO

PHONE: -
FAX: -

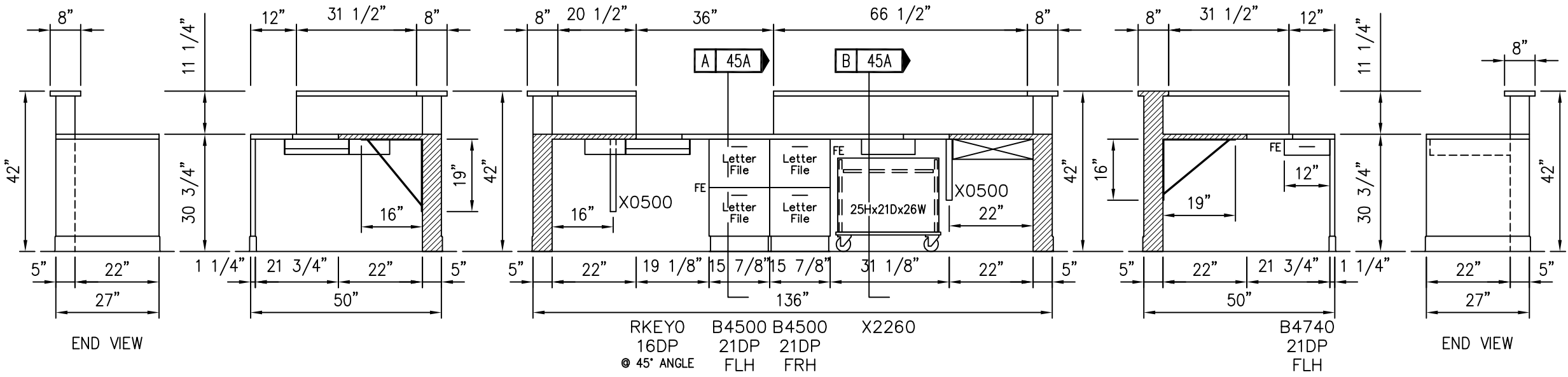
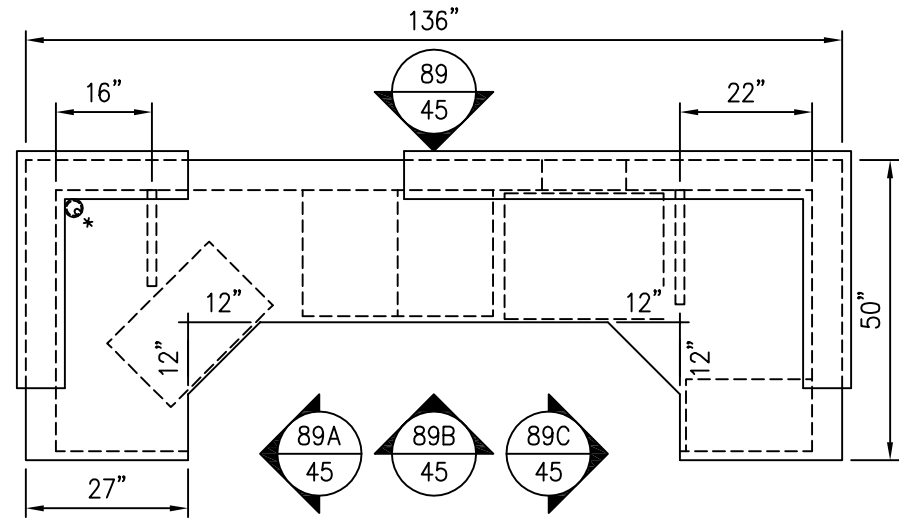
REV.	DATE	DESCRIPTION

* (1) DOUG MOCKETT 2 1/2" ϕ GROMMETS (FIELD LOCATED) COLOR: BLACK



89 45	CIRC 225	225A	225B
	SCALE: 3/8" = 1'- 0"	F	F

LAMINATE COLOR:
 PL-1 = WILSONART 2932-60 ALMOND LEATHER
 PL-2 = WILSONART 4740-60 ROLETTA
 PL-3 = WILSONART 4637-60 MONTEREY HAZE
 PL-4 = WILSONART 4850-38 MISSION STUCCO



89A 45	CIRC 225	-
	SCALE: 3/8" = 1'- 0"	-

SCHEME-1

89B 45	CIRC 225	225A	225B
	SCALE: 3/8" = 1'- 0"	F	F

SCHEME-1

89C 45	CIRC 225	-
	SCALE: 3/8" = 1'- 0"	-

SCHEME-1

PROJECT: PROJECT NAME
 PROJECT NAME
 PROJECT NAME
 ADDRESS
 CITY, STATE & ZIP

DATE: 00/00/00
 DRAWN BY: dlb CADD
 MANAGER: PROJECT MANAGER

SHEET NO.
45