

YOUR  
COMPANY  
LOGO

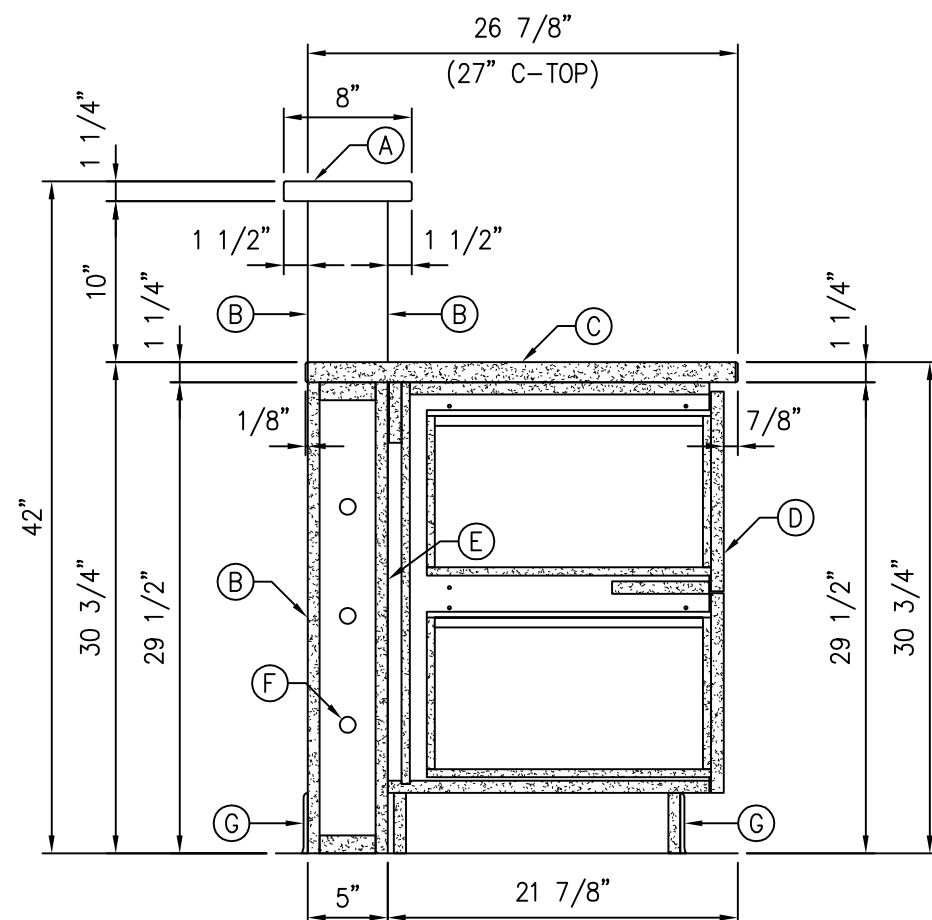
PHONE: -  
FAX: -

- (PL-1) (A) LEDGE - P.LAM. & BALANCE ON 1 1/8" PARTICLEBOARD WITH 3mm PVC OR ABS ON ALL EXPOSED EDGES
- (PL-2) (B) FACE PANEL - P.LAM. & BALANCE ON 3/4" PARTICLEBOARD (SELF EDGE ON ALL EXPOSED EDGES)
- (PL-1) (C) COUNTERTOP - P.LAM. & BALANCE ON 1 1/8" PARTICLEBOARD WITH 3mm PVC OR ABS ON ALL EXPOSED EDGES
- (D) CASE SYSTEMS B4500 FILE DRAWER BASE CABINET
- (PL-2) (E) REMOVABLE PANEL (AS REQUIRED FOR INSTALLATION) - P.LAM. & BALANCE ON 3/4" PARTICLEBOARD

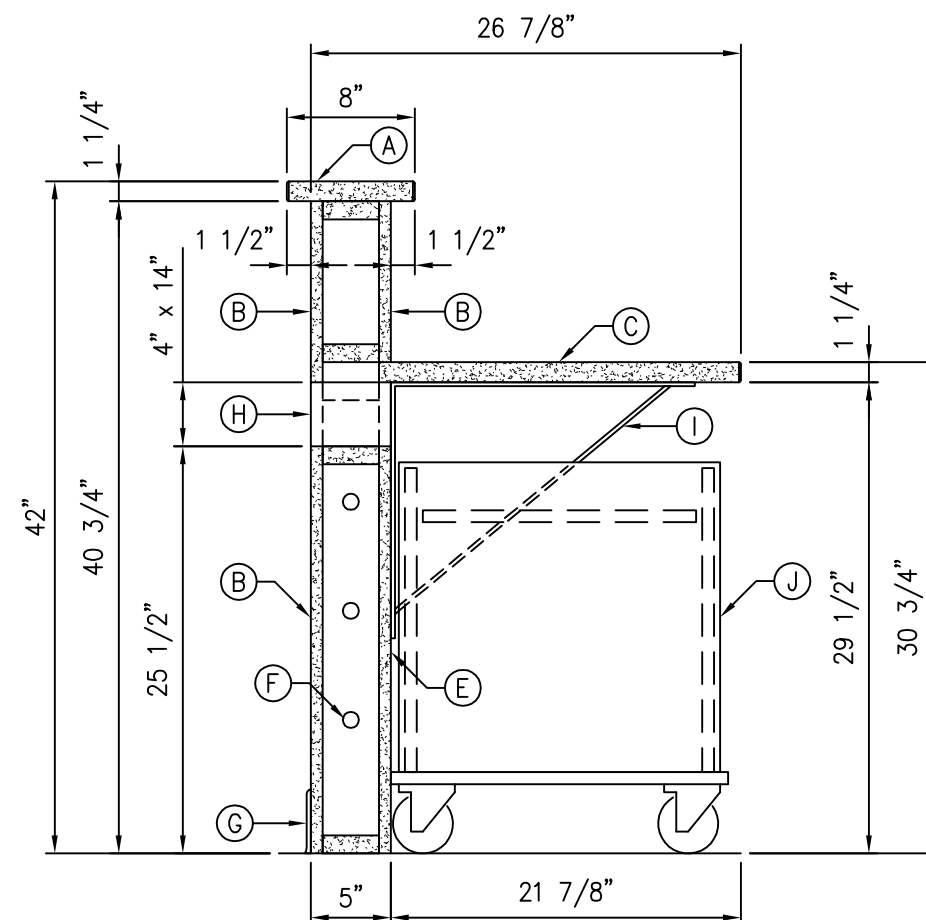
- (F) STUDS @ 16" O.C. - 1 1/8" PARTICLEBOARD WITH 1" Ø HOLES FOR COMMUNICATION & ELECTRICAL
- (G) FINISHED BASE - BY OTHER TRADES
- (H) 4" x 14" BOOK DROP - P.LAM. ON ALL EXPOSED SURFACES
- (I) CASE SYSTEMS X0500 STEEL SUPPORT BRACKET (BEYOND)
- (J) CASE SYSTEMS X2260 DEPRESSIBLE TOP BOOK TRUCK

LAMINATE COLOR:

PL-1 =	WILSONART	2932-60	ALMOND LEATHER
PL-2 =	WILSONART	4740-60	ROLETTA
PL-3 =	WILSONART	4637-60	MONTEREY HAZE
PL-4 =	WILSONART	4850-38	MISSION STUCCO



(A) SECTION DETAIL  
45A SCALE: 1" = 1'-0" [ ]



(B) SECTION DETAIL  
45A SCALE: 1" = 1'-0" [ ]

REV.	DATE	DESCRIPTION

PROJECT: PROJECT NAME  
PROJECT NAME  
PROJECT NAME  
ADDRESS  
CITY, STATE & ZIP

DATE: 00/00/00  
DRAWN BY: dib CADD  
MANAGER: PROJECT MANAGER

SHEET NO.  
**45A**