

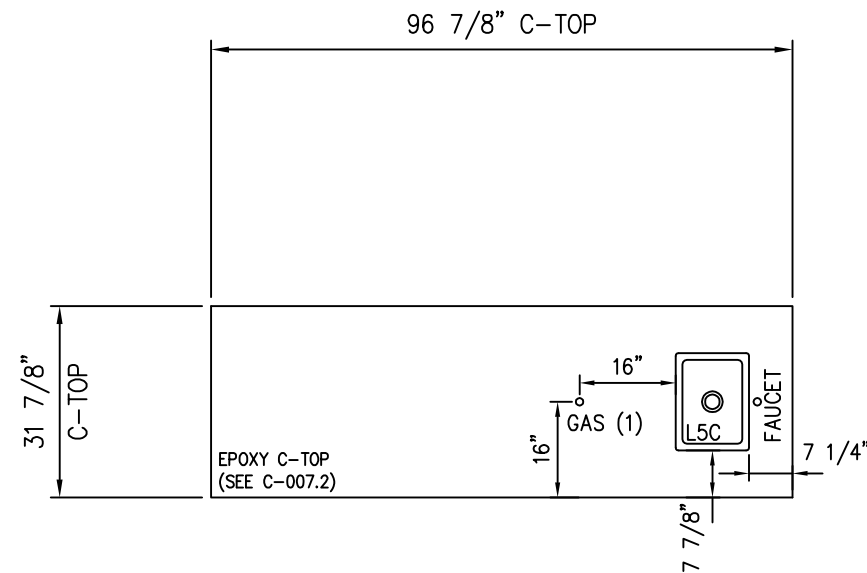
ITEMS BY NEIS:

- (1) 1" BLACK EPOXY RESIN C-TOP (SEE SHEET NO. C-007.2)
- (1) DURCON L5C (14" x 10" x 6") LIPPED SINK
- (1) DURCON SO-3R SINK OUTLET
- (1) DURCON OE-4R SINK OVERFLOW

ITEMS BY OTHER TRADES:

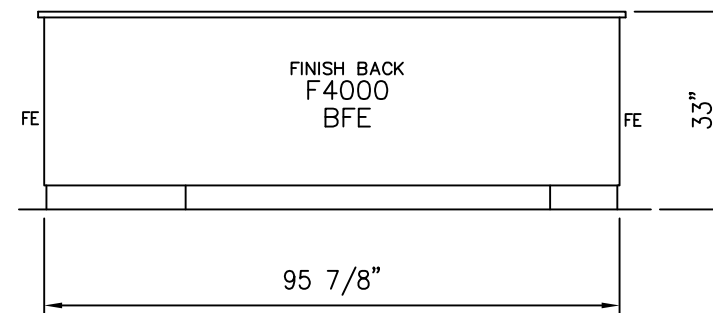
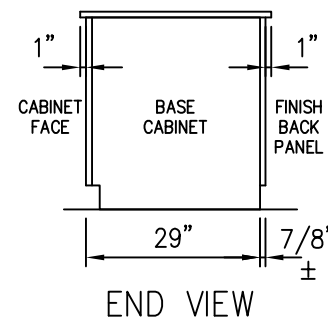
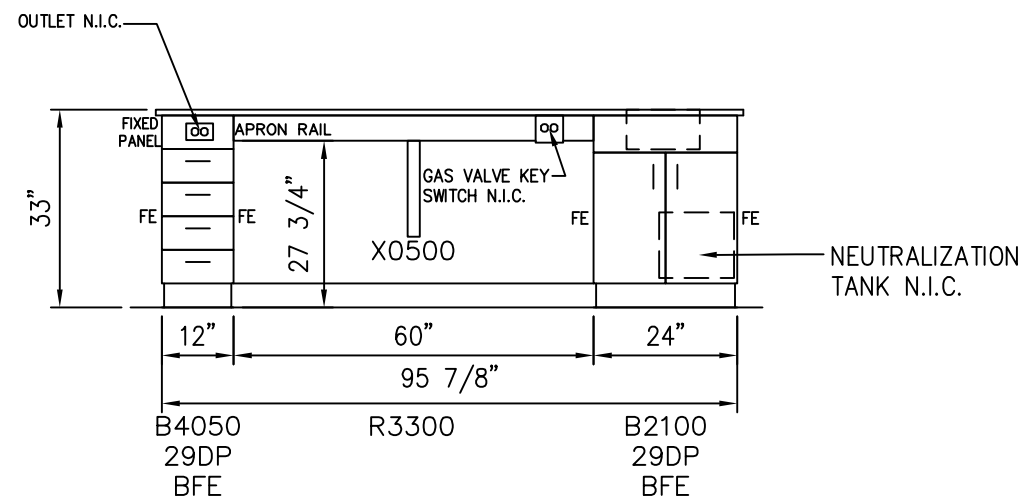
- (1) FAUCETS (G.C. TO PROVIDE NEIS WITH MODEL #)
- (1) GAS COCK (G.C. TO PROVIDE NEIS WITH MODEL #)

NOTE: MODEL NUMBERS ARE REQUIRED FOR HOLE DRILLINGS, ETC.



ARCHITECT NOTE:
VERIFY NUMBER OF GAS COCKS REQUIRED
1 SHOWN ON PLAN & 2 SHOWN ON ELEV.

B4050 MOD =
FIXED PANEL IN LIEU OF TOP DRAWER TO
ALLOW FOR ELECTRICAL OUTLET



MOD 8TH GRADE		
4	SCIENCE CLASSROOM 2002	1
05	SCALE: 3/8" = 1'-0"	A804

SCHEME-

8TH GRADE		
5	SCIENCE CLASSROOM 2002	1
05	SCALE: 3/8" = 1'-0"	A804

SCHEME-

Phone: - -
FAX: - -

YOUR
COMPANY
LOGO

PROJECT NAME
PROJECT DESCRIPTION
PROJECT NO. PROJECT NUMBER

COPYRIGHT
THIS DOCUMENT AND THE INFORMATION REPRESENTED IS THE PROPERTY OF YOUR COMPANY. NAME DISTRIBUTION OR REPRODUCTION WITHOUT PRIOR WRITTEN CONSENT IS NOT PERMITTED.

REVISION 1:
REVISION 2:
REVISION 3:
DRAWN BY: dib CADD
DATE: 00/00/00
SCALE: AS NOTED
ELEV:
PAGE: